

RECIRCULATION OPERATION WITH XO1 INSERT SERIES

It is highly recommended that cooking exhaust always be vented outside.

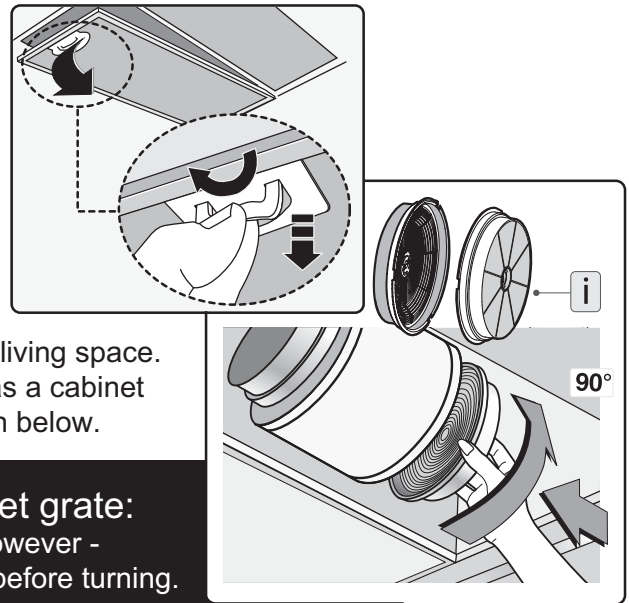
When this is impossible or impractical, a recirculating kit using activated charcoal filters may be used.

Install the recirculating kit as follows:

Remove all grease filters to expose the blower(s) and set aside.

Attach one charcoal filter to each end of the blower, covering the grill and locking in place by rotating clockwise.

(Replace at least every 6 months / remove by rotating counterclockwise)



The discharge of the blower must be ducted back into the living space. Ductwork must NOT terminate within a closed area such as a cabinet or soffit. Install a grill to cover the duct opening as shown below.

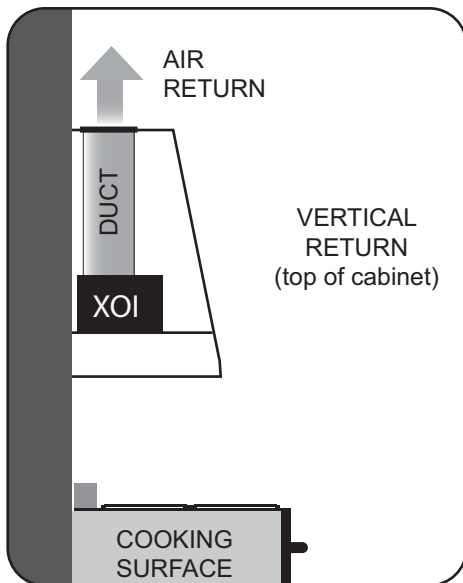
In connecting the blower discharge to the outlet grate:

Outlet grate may be mounted horizontally or vertically - However -

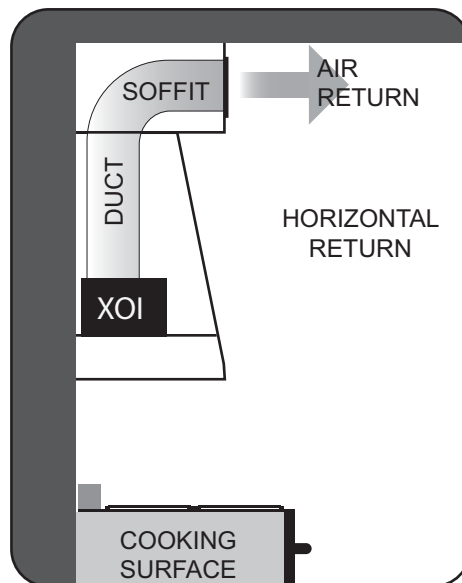
The vertical run leaving the blower should be at least 15" before turning.

Minimize all turns and overall duct length.

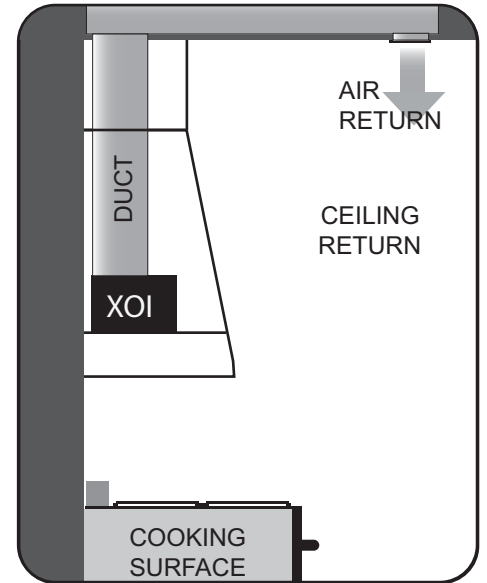
INSTALLATION EXAMPLES: (for illustration purposes only - not to scale)



#1: Exhaust through top of hood



#2: Exhaust horizontally / Soffit



#3: Exhaust / Ceiling return

The installation of custom hoods, as their name implies is always unique.

However, when venting outside the living environment is not possible and recirculation must be employed - provision must be made to return the filtered air to the living space. Care must be exercised to avoid cross drafting particularly when using a ceiling return.